

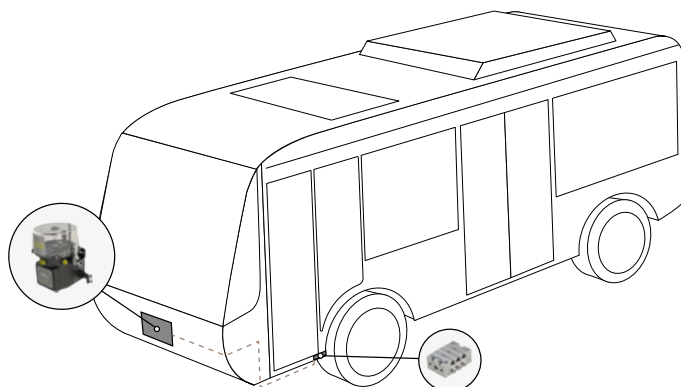
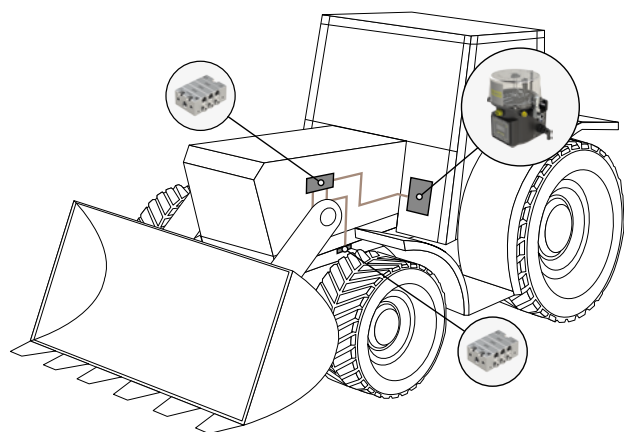
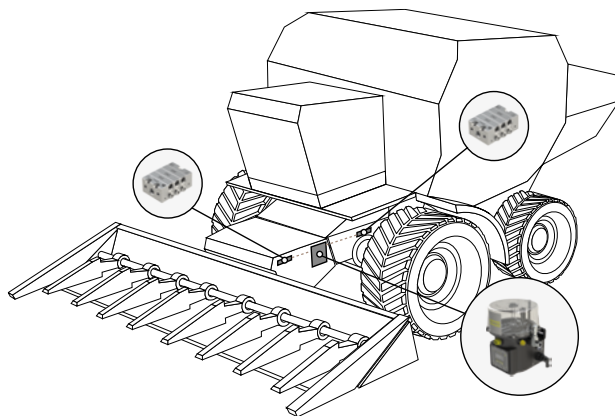
lubrication systems

ilc



EAM System

Centralized Lubrication Systems
for Earthmoving, Agricultural and Municipal Vehicles



INDEX OF CONTENT

07.270.7 (250 μ - pumping element seat)	10	High Pressure Fittings	29
40.BMI.00	15	Hose fittings	18
40.BMI.01	15	Hose fittings	27
40.BMI.02	15	Hoses	18
45° Adapter M-F	20	Hydra	24
45.12-24.DC.CT	9	ILC MAX	5
45.12-24.DC.PG.CT	9	ILC MAX 4K	3
A51.1061003 (Elbow Extension M22x1,5)	10	ILC MAX 4K	3
A70.093526 (300 μ - 1/4 "G seat)	10	ILC MAX 4K 8-16 Kg	4
Brushes	29	ILC MAX 4K 8-16 KG	4
Cabine Push Button	22	ILC MAX 8-16 Kg	6
Check Valves	17	ILC MAX 8-16 KG	6
Clamps and Straps	19	ILC MAX Pumping Element	14
Connectors	19	Inlet / Outlet Fittings	16
CX-1	26	Low Pressure Fittings	29
Divider Accessories	17	Manual loading pump and adapter (Grease)	10
DPL	13	MINI-MAX	8
DPX	12	MINI-MAX 3K	7
Dpx Bracket	23	Mini-Max filling nipple	10
DPX M10	11	Minimax Pumping Element	14
Elbow Adapter M-F	20	Minimax Small Pumping Element	14
Elbow Greasing Block 1/8"	21	PMU Pump	28
Elbow Greasing Block M10x1	21	Point Fittings	20
Elektra	25	Protections	19
Extension Pieces M-F	20	Pump Bracket	23
External Timer	27	Push-In Fittings	16
External Timer (12-24 V DC)	22	Push-In Fittings with check valve	16
Fittings	27	Reservoir (4L)	28
Flowmeter	22	Straight Adaptor R 1/8 - G 1/8 F (h=60 mm)	20
Grease Nipples	22	Transmission Kit	28
Greasing Block 1/8"	21	Welding Protection	22
Greasing Block M10x1	21	Z Bracket	23

ILC MAX 4K

How to build the part number

Working in TIME and CYCLES

| 4K | . | 4 | . | 24DC | . | FCT | . | G |

A
 B
 C
 D
 E

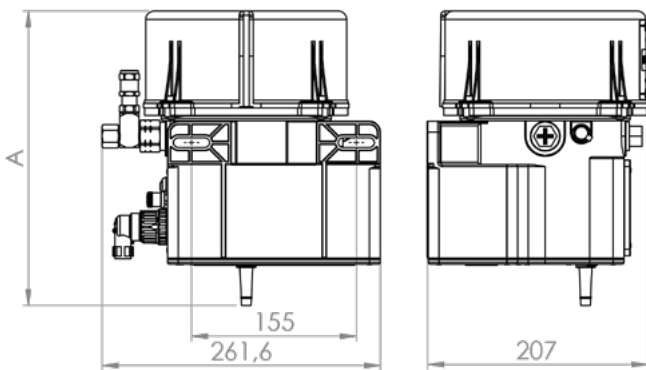


A (Reservoir)		D (Timer)	
2	2 kg	CT	with timer
4	4 kg	ST	without timer
8	10 kg	DT	with datalog

B (Voltage)		E (Lubricant)	
12DC	12 V DC	G	Grease
24DC	24 V DC	O	Oil
		S	Soft Grease

C (Pumping Element)	
F	Fixed
R	Adjustable
X	No element

Dimensions



Cables

Length	5 Poles
5 m	40.CBL.5.05.AK
10 m	40.CBL.5.10.AK
15 m	40.CBL.5.15.AK

Outlet Fittings Ø 6 mm

FH.040.102	Elbow
FH.040.002	Straight

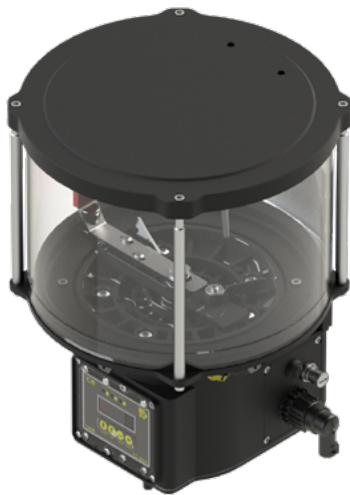
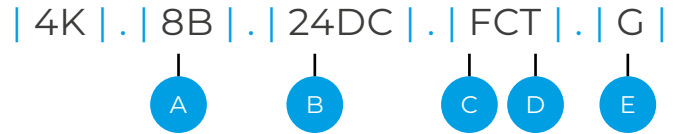
A (height)	
2 kg	277,60 mm
4 kg	349,60 mm
10 kg	543,10 mm

Fixing Screws (order 2 of each one)	
UNI5931-M8x30	Screw
UNI7473-M08	Nut
UNI1734-D08	Washer

ILC MAX 4K 8-16 Kg

How to build the part number

Working in TIME and CYCLES



A (Reservoir) **D (Timer)**

8B	10 Kg	CT	with timer
16	16 Kg	ST	without timer
		DT	with datalog

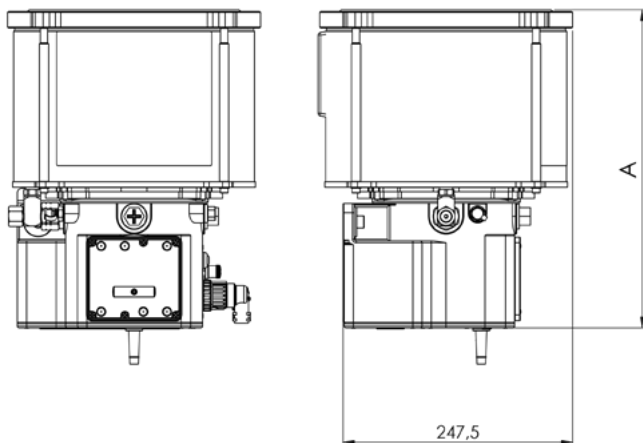
B (Voltage) **E (Lubricant)**

12DC	12 V DC	G	Grease
24DC	24 V DC	O	Oil
		S	Soft Grease

C (Pumping Element)

F	Fixed
R	Adjustable
X	No element

Dimensions



Cables

Length	5 Poles
5 m	40.CBL.5.05.AK
10 m	40.CBL.5.10.AK
15 m	40.CBL.5.15.AK

Outlet Fittings Ø 6 mm

FH.040.102	Elbow
FH.040.002	Straight

A (height)

8 Kg	344,1 mm
16 Kg	519,6 mm

Fixing Screws (order 2 of each one)

UNI5931-M8x30	Screw
UNI7473-M08	Nut
UNI1734-D08	Washer

ILC MAX

How to build the part number

Working in TIME and ROTATIONS

| 40 | . | 4 | . | 24DC | . | FCT | . | G |



A (Reservoir)

2	2 kg
4	4 kg
8	10 kg

D (Timer)

CT	with timer
ST	without timer
DT	with datalog

B (Voltage)

12DC	12 V DC
24DC	24 V DC

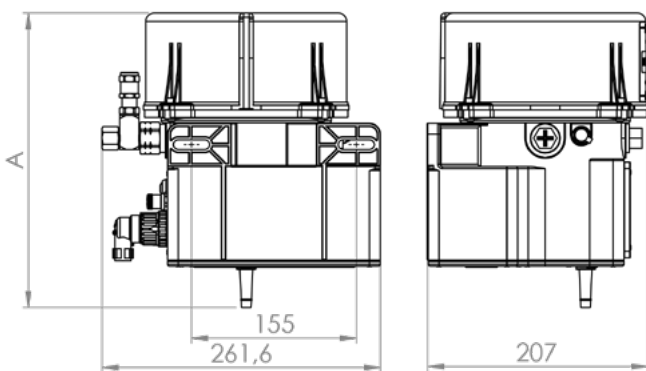
E (Lubricant)

G	Grease
O	Oil
S	Soft Grease

C (Pumping Element)

F	Fixed
R	Adjustable
X	No element

Dimensions



Cables

Lenght

4 Poles

7 Poles

5 m	40.CBL.4.05	40.CBL.7.05
10 m	40.CBL.4.10	40.CBL.7.10
15 m	40.CBL.4.15	40.CBL.7.15

Outlet Fittings Ø 6 mm

FH.040.102	Elbow
FH.040.002	Straight

A (height)

2 kg	277,60 mm
4 kg	349,60 mm
10 kg	543,10 mm

Fixing Screws (order 2 of each one)

UNI5931-M8x30	Screw
UNI7473-M08	Nut
UNI1734-D08	Washer

ILC MAX 8-16 Kg

How to build the part number

Working in TIME and ROTATIONS

| 40 | . | 8B | . | 24DC | . | FCT | . | G |



A (Reservoir)

8B	8 Kg
16	16 Kg

D (Timer)

CT	with timer
ST	without timer
DT	with datalog

B (Voltage)

12DC	12 V DC
24DC	24 V DC

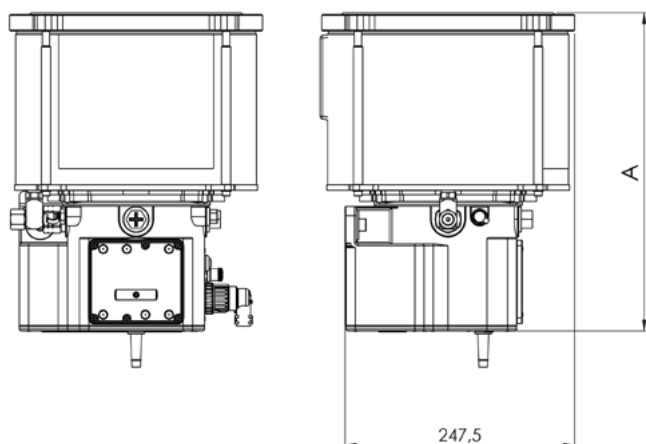
E (Lubricant)

G	Grease
O	Oil
S	Soft Grease

C (Pumping Element)

F	Fixed
R	Adjustable
X	No element

Dimensions



A (height)

8 Kg	344,1 mm
16 Kg	519,6 mm

Cables

Length

5 m
10 m
15 m

5 Poles

40.CBL.5.05.AK
40.CBL.5.10.AK
40.CBL.5.15.AK

Outlet Fittings Ø 6 mm

FH.040.102	Elbow
FH.040.002	Straight

Fixing Screws (order 2 of each one)

UNI5931-M8x30	Screw
UNI7473-M08	Nut
UNI1734-D08	Washer

MINI-MAX 3K

How to build the part number



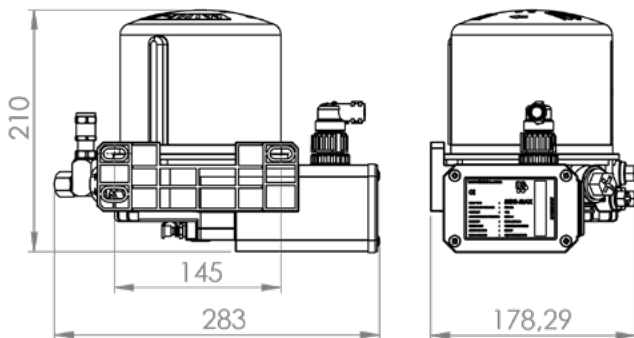
| 3K | . | 12 | . | T X | . | F X | . | XXXXXXXX |



A (Voltage)		D (Metering Pump. Elem.)	
12	12 V DC	F	Fixed
24	24 V DC	R	Adjustable
		X	No Element

B (Timer)		E (Pumping elements)	
T	with timer	A	Metering 5 mm ³
X	without timer	B	Metering 10 mm ³
		C	Metering 15 mm ³
C (Electrical level)		D	Metering 25 mm ³
L	with level	E	Metering 50 mm ³
X	without level	X	No Element

Dimensions



Cables

Length	5 Poles
5 m	40.CBL.5.05.AK
10 m	40.CBL.5.10.AK
15 m	40.CBL.5.15.AK

Outlet Fittings Ø 6 mm

FH.040.102	Elbow
FH.040.002	Straight

Fixing Screws (order 2 of each one)

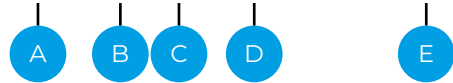
UNI5931-M8x30	Screw
UNI7473-M08	Nut
UNI1734-D08	Washer

MINI-MAX

How to build the part number



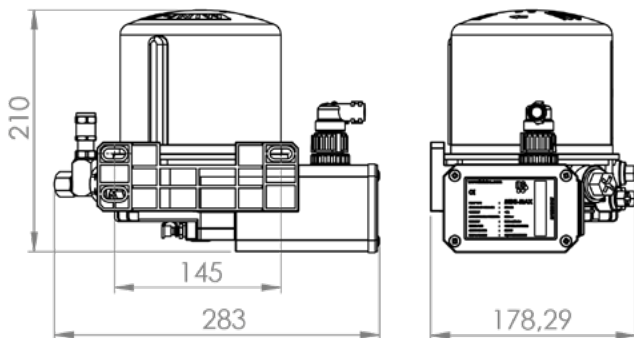
| 39 | . | 12 | . | T L | . | F R | . | AAAAAAAAAA |



A (Voltage)		D (Metering Pump. Elem.)	
12	12 V DC	F	Fixed
24	24 V DC	R	Adjustable
		X	No Element

B (Timer)		E (Pumping elements)	
T	with timer	A	Metering 5 mm ³
X	without timer	B	Metering 10 mm ³
		C	Metering 15 mm ³
C (Electrical level)		D	Metering 25 mm ³
L	with level	E	Metering 50 mm ³
X	without level	X	No Element

Dimensions



Cables

Length	5 Poles
5 m	40.CBL.5.05
10 m	40.CBL.5.10
15 m	40.CBL.5.15

Outlet Fittings Ø 6 mm

FH.040.102	Elbow
FH.040.002	Straight

Fixing Screws (order 2 of each one)

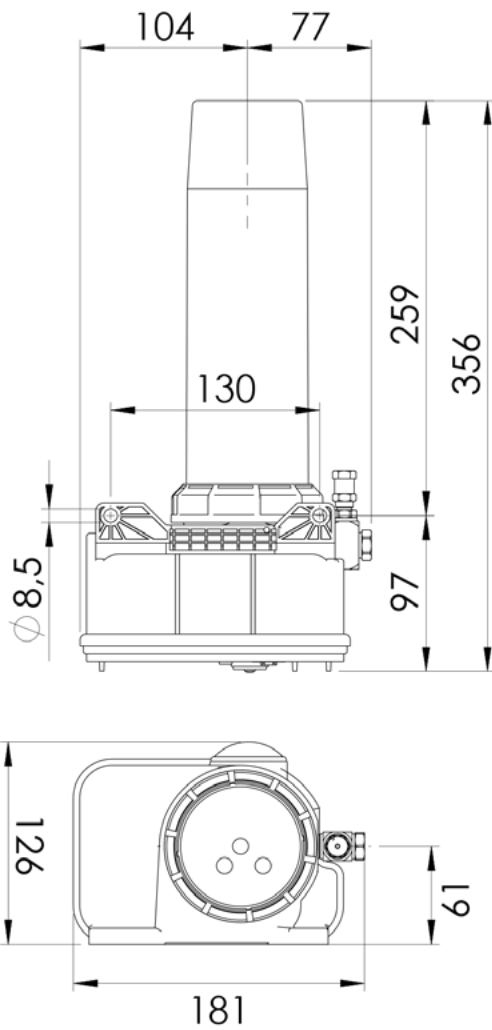
UNI5931-M8x30	Screw
UNI7473-M08	Nut
UNI1734-D08	Washer

45.12-24.DC.CT

45.12-24.DC.PG.CT



Dimensions



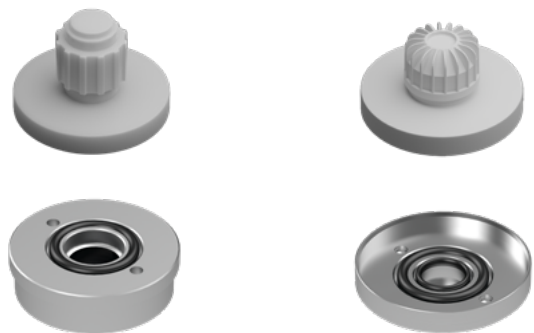
Four-wire connector

Length	Part n°
5 m	45.CDL.4.05
10 m	45.CDL.4.10

Inductive control Cable

Length	M12 (M)/M8X1 (F)	M12 (M)/M12 (F)
5 m	45.CDC.3.05	45.CDC.4.05
10 m	45.CDC.3.10	45.CDC.4.10

Cartridge Adaptor



Ritter (400gr)	Reiner (500 gr)
A70.0931077	A70.0931078

The pump is supplied to accommodate a type "S" Shutter cartridge.

A70.093526 (300 μ - 1/4 "G seat)

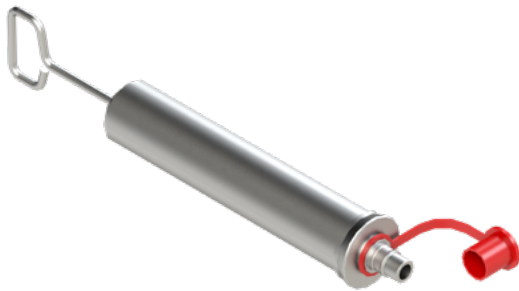
07.270.7 (250 μ - pumping element seat)



Complete filter Unit	A70.093526
Replacement Cartridge	93.086020
Filter	07.270.0
Banjo	A70.093596

Complete filter Unit	07.270.7
Replacement Cartridge	A93.086020

Manual loading pump and adapter (Grease)



Manual pump	ZZZ100-201
-------------	------------

Adapter M22x1,5 with check valve	07.270.9
----------------------------------	----------

A51.1061003 (Elbow Extension M22x1,5)

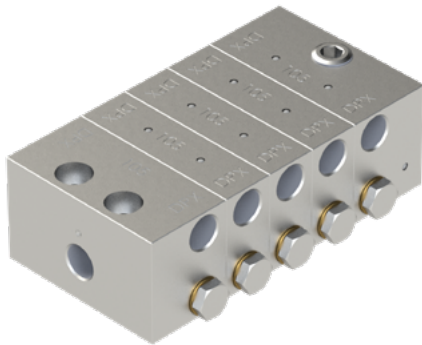
Mini-Max filling nipple



Load Extension	A51.1061003
----------------	-------------

Mini-Max filling nipple (same position of small PE)	A70.0931199
---	-------------

DPX M10



Segments

Tie Rods	N° of Elements	Length (mm)
2.TR.03	3	45
2.TR.04	4	60
2.TR.05	5	75
2.TR.06	6	90
2.TR.07	7	105
2.TR.08	8	120
2.TR.09	9	135
2.TR.10	10	150
2.TR.11	11	165
2.TR.12	12	180

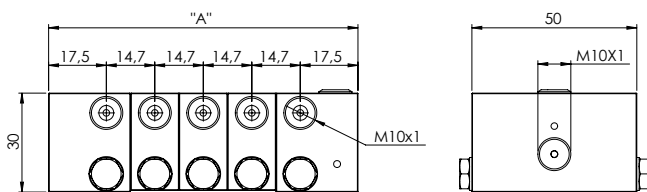
Metering Elements

Discharge	Inlet	Intermediate	End
25 mm ³	2.A.025.D.1N.M10	2.B.025.D.1N	2.C.025.D.1N.M10
45 mm ³	2.A.045.D.1N.M10	2.B.045.D.1N	2.C.045.D.1N.M10
75 mm ³	2.A.075.D.1N.M10	2.B.075.D.1N	2.C.075.D.1N.M10
105 mm ³	2.A.10 5.D.1N.M10	2.B.105.D.1N	2.C.10 5.D.1N.M10

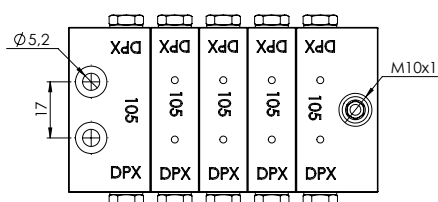
Metering Elements with Visual Pin

Discharge	Inlet	Intermediate	End
45 mm ³	2.A.045.D.2V.M10	2.B.045.D.2V	2.C.045.D.2V.M10
75 mm ³	2.A.075.D.2V.M10	2.B.075.D.2V	2.C.075.D.2V.M10
105 mm ³	2.A.105.D.2V.M10	2.B.105.D.2V	2.C.105.D.2V.M10

Dimensions



Ingresso M10x1



Cables

Length	M8x1 Straight	M12x1 Elbow	M12x1 Straight
5 m	A91.111227	A91.111441	A91.111349
10 m	A91.111348	A91.111552	A91.111296
15 m	A91.111393	A91.111318	A91.111350

Sensor Kit (PNP NA)

With Cable (2 m)	49.052.5
M8 x 1	49.052.7
M12 x 1	49.052.9

Fixing Screws (order 2 of each one)

UNI5931-M5x40	Screw
UNI7473-M05	Nut
UNI8842A-D05	Washer

DPX



Segments

Tie Rods	N° of Elements	Length (mm)
2.TR.03	3	45
2.TR.04	4	60
2.TR.05	5	75
2.TR.06	6	90
2.TR.07	7	105
2.TR.08	8	120
2.TR.09	9	135
2.TR.10	10	150
2.TR.11	11	165
2.TR.12	12	180

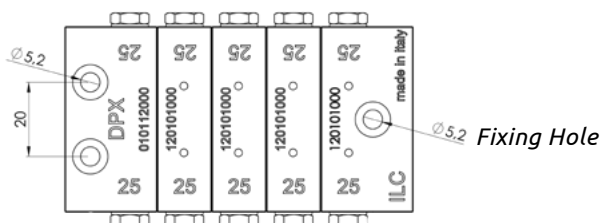
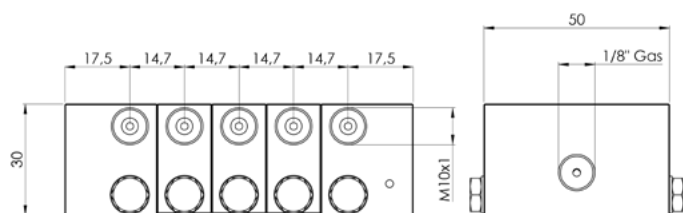
Metering Elements

Discharge	Inlet	Intermediate	End
25 mm ³	2.A.025.D.1N	2.B.025.D.1N	2.C.025.D.1N
45 mm ³	2.A.045.D.1N	2.B.045.D.1N	2.C.045.D.1N
75 mm ³	2.A.075.D.1N	2.B.075.D.1N	2.C.075.D.1N
105 mm ³	2.A.105.D.1N	2.B.105.D.1N	2.C.105.D.1N

Metering Elements with Visual Pin

Discharge	Inlet	Intermediate	End
45 mm ³	2.A.045.D.2V	2.B.045.D.2V	2.C.045.D.2V
75 mm ³	2.A.075.D.2V	2.B.075.D.2V	2.C.075.D.2V
105 mm ³	2.A.105.D.2V	2.B.105.D.2V	2.C.105.D.2V

Dimensions



Cables

Length	M8x1 Straight	M12x1 Elbow	M12x1 Straight
5 m	A91.111227	A91.111441	A91.111349
10 m	A91.111348	A91.111552	A91.111296
15 m	A91.111393	A91.111318	A91.111350

Sensor Kit (PNP NA)

With Cable (2 m)	49.052.5
M8 x 1	49.052.7
M12 x 1	49.052.9

Fixing Screws (order 2 of each one)

UNI5931-M5x40	Screw
UNI7473-M05	Nut
UNI8842A-D05	Washer

DPL

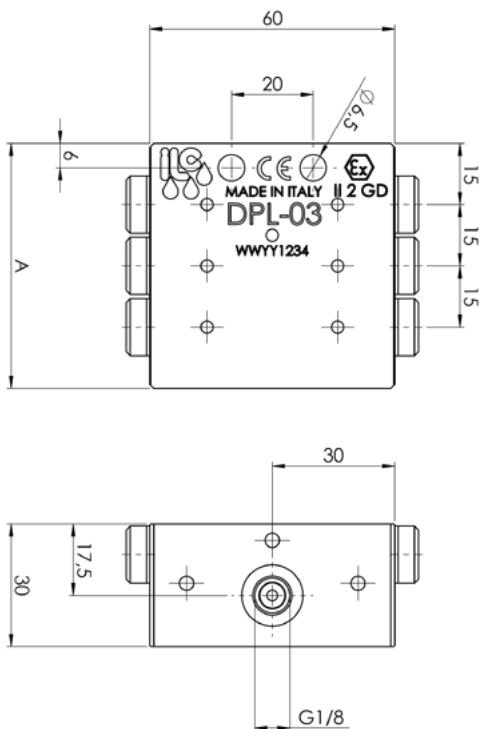


Outlets	Standard	Visual Pin
6	4.1N.03	4.2V.03
8	4.1N.04	4.2V.04
10	4.1N.05	4.2V.05
12	4.1N.06	4.2V.06
14	4.1N.07	4.2V.07
16	4.1N.08	4.2V.08
18	4.1N.09	4.2V.09
20	4.1N.10	4.2V.10

Complete of Inductive Sensor

Outlets	M8x1	M12x1
6	4.3I.8.03	4.3I.12.03
8	4.3I.8.04	4.3I.12.04
10	4.3I.8.05	4.3I.12.05
12	4.3I.8.06	4.3I.12.06
14	4.3I.8.07	4.3I.12.07
16	4.3I.8.08	4.3I.12.08
18	4.3I.8.09	4.3I.12.09
20	4.3I.8.10	4.3I.12.10

Dimensions



Cables

Length	M8x1 Straight	M12x1 Elbow	M12x1 Straight
5 m	A91.111227	A91.111441	A91.111349
10 m	A91.111348	A91.111552	A91.111296
15 m	A91.111393	A91.111318	A91.111350

Sensor Kit (PNP NA)

With Cable (2 m)	49.052.5
M8 x 1	49.052.7
M12 x 1	49.052.9

Fixing Screws (order 2 of each one)

UNI5931-M6x40	Screw
UNI7473-M06	Nut
UNI8842A-D06	Washer

ILC MAX Pumping Element



Fixed Discharge

90.900.0



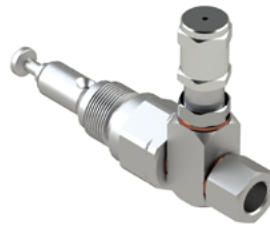
Adjustable Discharge

90.900.3



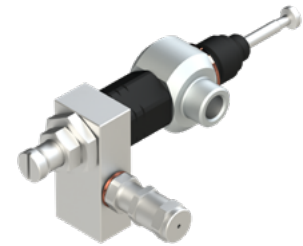
Fixed pumping element with 90° Outlet

90.902.2



Fixed pumping element (Stem Ø8 mm)

90.900.0-D8



Asjustable D.6 External suction

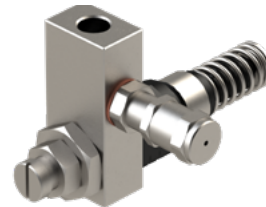
90.902.3

Minimax Pumping Element



Fixed Discharge

00.900.0



Adjustable Discharge

00.900.3

Minimax Small Pumping Element



Part N.	Discharge
90.940.0.05	5 mm ³
90.940.0.10	10 mm ³
90.940.0.15	15 mm ³
90.940.0.25	25 mm ³
90.940.0.50	50 mm ³

40.BMI.00



40.BMI.01



	Complete unit	40.BMI.00
1	Cap	A92.087.057
2	Pressure gauge 0-400 bar	46.600.0

	Complete unit	40.BMI.01
1	1/4" grease nipple	A70.078452
2	Pressure gauge 0-400 bar	46.600.0
3	Cap	A92.087.057

40.BMI.02



	Complete unit	40.BMI.02
1	1/4" grease nipple	A70.078452
2	Max pressure valve	A68.075011
3	Pressure gauge 0-400 bar	46.600.0
4	Cap	A92.087.057

Inlet / Outlet Fittings



Inlet				Outlet			
Straight	Elbow	Tube Ø 6	Divider	With Check Valve	No Check Valve	Tube Ø 6	Divider
FH.040.001	FH.040.101	1/8" BSP	DPX/DPL	FH.040.201	FH.040.006	M10x1	DPX
FH.040.006	FH.040.106	M10x1	DPX	14.052.0	03.222.1.06	M10x1	DPL



Nut and Sleeve Fittings (M10x1)	
Nut	Sleeve
04.052.0	06.052.0

Push-In Fittings



Inlet				Outlet			
Straight	Elbow	Tube Ø 6	Divider	Straight	Elbow	Tube Ø 6	Divider
03.256.0	03.256.6	1/8" BSP	DPX/DPL	03.256.3	03.256.7	M10x1	DPX
03.256.3	03.256.7	M10x1	DPX				

Push-In Fittings with check valve



Inlet				Outlet			
Straight	Elbow	Tube Ø 6	Divider	Straight	Elbow	Tube Ø 6	Divider
03.256.0.CVI	03.256.6.CVI	1/8" BSP	DPX/DPL	03.256.3.CV0	03.256.7.CV0	M10x1	DPX
03.256.3.CVI	03.256.7.CVI	M10x1	DPX				

Check Valves

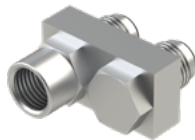


Inlet			Outlet		
Check Valve	Thread	Divider	Check Valve	Thread	Divider
14.050.3	1/8" BSP	DPX/DPL	14.050.8	M10x1 (F)	DPX
14.050.4	M10x1 (F)	DPX	03.222.2.CV	M10x1 (F)	DPL

Divider Accessories



DPX Plug		DPL Plug	
Part N.	Thread	Next Outlet Plug	Other Side Plug
A70.093229	M10x1	05.026.1	05.026.0



DPX Bridges		Banjo		
Without Outlet	With Outlet	Part N.	Thread	Divider
09.600.3.R	09.600.4.R	03.355.5	1/8" BSP	DPX/DPL
		03.355.6	M10x1	



DPX Bridge junction
09.600.8

Hose fittings

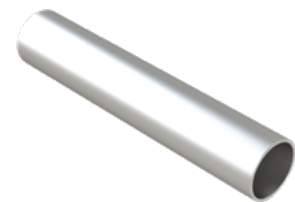
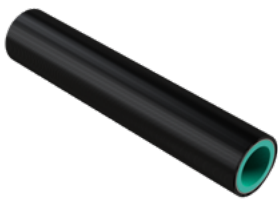


Sleeve			Stud 45°		
Straight	Key		Part N.	L	Key
FH.020.001	SW12		FH.030.202	25 mm	SW10



Stud Straight			Stud Elbow			Stud Straight		
Part N.	L	Key	Part N.	L	Key	Part N.	L	Key
FH.030.002	30 mm	SW10	FH.030.101	37 mm	SW10	FH.030.301	33 mm	SW10

Hoses



High Pressure 8.6 x 4 mm (min. 100 m)		Polyamide PA12 6 x 3 mm (min. 100 m)		Steel Tube (6 m)	
FH.010.002	NLG12 Full	30.155.3.NP	NLG12 Full	ZZZTC6/4/1	Ø 6 mm
FH.010.001	Empty	30.155.3.N	Empty	ZZZTC10/5/2.5	Ø 10 mm

Protections



Helix Protection (min. 50 m)		Flexible Conduit (min. 50 m)		Metallic Protection (6 m)	
ZZZ100-040	Ø 6 mm	A91.111521	Ø 6.9 mm	ZZZ00208210	Ø 6 mm
ZZZ100-041	Ø 11.5 mm				

Clamps and Straps

Connectors

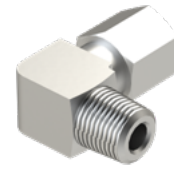


Hose Clamps		Hose Strap		Hose-Hose Connector	
Part N.	Size	Part N.	Length	Part N.	Thread
ZZZ100-606	Ø 6 mm	A91.111273	380 mm	FH.050.001	Ø 6 mm
ZZZ100-608	Ø 8 mm	A91.111274	200 mm	ZZZ106-000-10-L	Ø 6 mm - 10 mm
ZZZ100-610	Ø 10 mm				
ZZZ100-612	Ø 12 mm				
08.609.1	Ø 14 mm				
08.609.2	Ø 16 mm				
ZZZ100-618	Ø 18 mm				
ZZZ100-620	Ø 20 mm				
Fixing					
UNI5931-M6x20	Screw				
UNI1734-D06	Washer				
UNI7473-M06	Nut				

Point Fittings

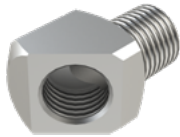


Straight	Tube Ø 6
FH.040.003	M6x1
FH.040.004	M8x1
FH.040.006	M10x1
FH.040.001	1/8"
FH.040.002	1/4"



Elbow	Tube Ø 6
FH.040.103	M6x1
FH.040.104	M8x1
FH.040.106	M10x1
FH.040.101	1/8"
FH.040.102	1/4"

45° Adapter M-F



ZZZ100-822	M8x1 - M8x1
ZZZ100-833	M10x1 - M10x1
ZZZ100-844	1/8" - 1/8"

Elbow Adapter M-F



ZZZ100-721	M6x1 - M8x1
ZZZ100-722	M8x1 - M8x1
ZZZ100-723	M10x1 - M8x1
ZZZ100-724	1/8" - M8x1
ZZZ100-733	M10x1 - M10x1
ZZZ100-744	1/8" - 1/8"
03.239.0	R 1/8" - G 1/8" F
03.239.1	M8x1 K - G 1/8" F

Extension Pieces M-F



ZZZ100-130	M8x1-M8x1	18 mm
ZZZ100-137	M8x1-M10x1	23 mm
ZZZ100-140	M10x1-M8x1	18 mm
ZZZ100-141	M10x1-M10x1	23 mm
ZZZ100-142	M10x1-M10x1	18 mm
ZZZ100-143	M10x1-M10x1	40 mm
ZZZ100-145	M10x1-M10x1	35 mm
ZZZ100-146	M10x1-M10x1	50 mm
03.205.0	1/8"- 1/8"	23 mm
ZZZ100-149	1/8"- 1/8"	35 mm
ZZZ100-151	1/8"- M10x1	18 mm
03.205.1	1/8"- 1/8"	18 mm
ZZZ100-153	1/8"- 1/8"	50 mm

Straight Adaptor R 1/8 - G 1/8 F (h=60 mm)



Part n°
03.205.2

Greasing Block 1/8"



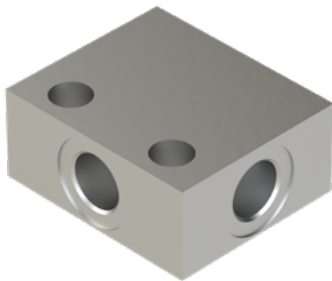
Greasing Block M10x1



Part N.	Outlets
01.110.1	1
01.110.2	2
01.110.3	3
01.110.4	4
01.110.5	5
01.110.6	6
01.110.7	7
01.110.8	8

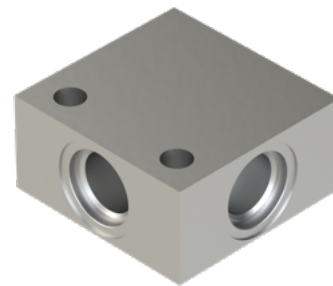
Part N.	Outlets
ZZZ100-210-1	1
ZZZ100-210-2	2
ZZZ5029-103	3

Elbow Greasing Block 1/8"



01.151.1

Elbow Greasing Block M10x1



01.831.5

Cabine Push Button



External Timer (12-24 V DC)

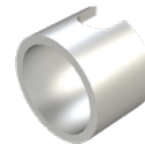


Part N.	Voltage	40.BCT.BT.DC	Works in time and rotations
40.PSG.12	12 V DC	40.BCT.BT.DC.PC-IC	Works in time and cycles
40.PSG.24	24 V DC		

Grease Nipples



Welding Protection



Straight	Thread	08.111.0
A70.078422	1/8" BSP	
A70.078440	M10x1	
A70.078452	1/4" BSP	

Flowmeter

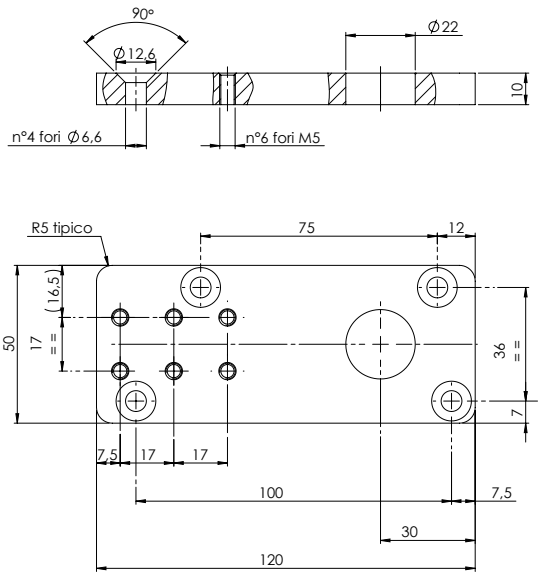


45.012.0	45.012.0.AISI	A91.111316
Anodized Aluminium	Stainless steel AISI 316	Elbow Cable 4 Pin (5 m)

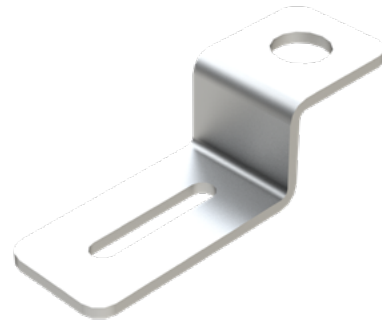
Dpx Bracket



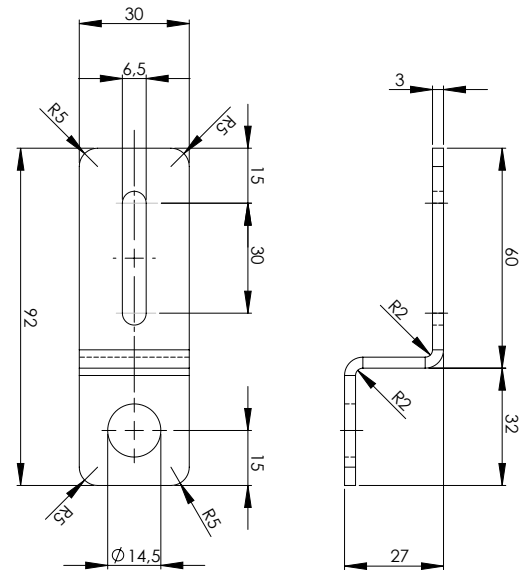
A51.120002



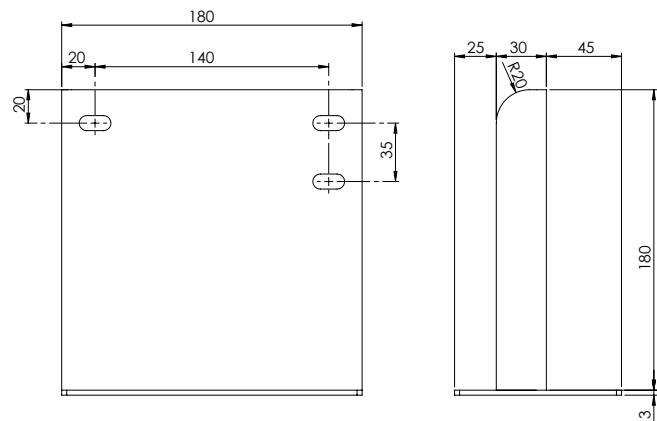
Z Bracket



08.112.0



Pump Bracket



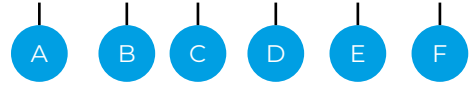
A51.120001

Hydra

How to build the Part Number



| 86 | . | 27 | . | 1 | . | 1 | . | X | . | X | . | X |



A (Pump)		B (Release Module)	
----------	--	--------------------	--

27 Kg	27	Yes	1
41 Kg	41	No	X
180 Kg	18	Valve Only	2

C (Tank)		D (Presser Disc)	
----------	--	------------------	--

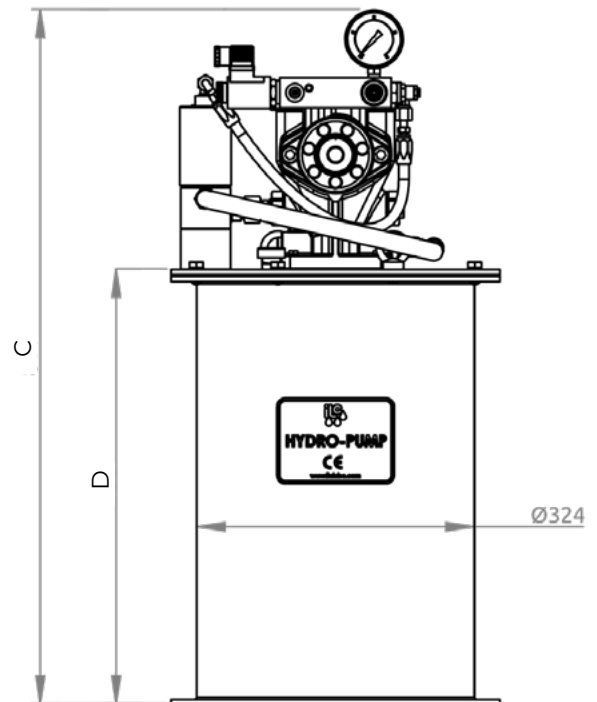
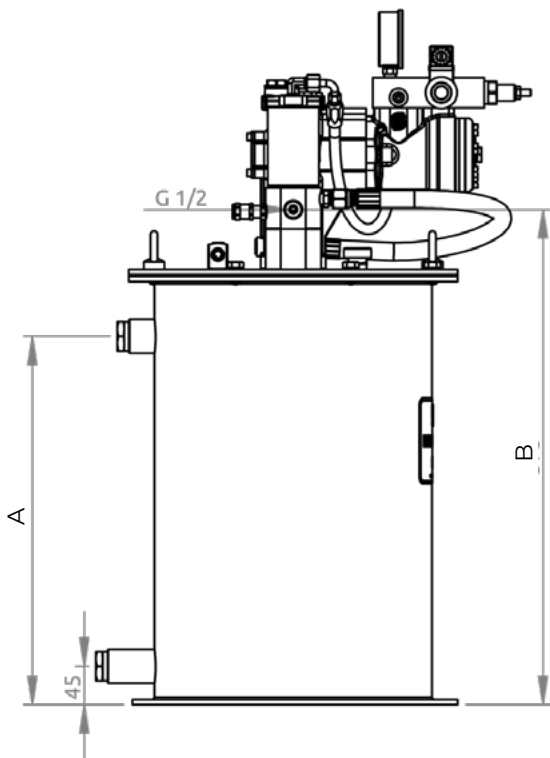
Cover Only	1	Yes	1
Complete Tank	2	No	X
Without Tank	X		

E (Level Sensor)		F (Loading Kit)	
------------------	--	-----------------	--

Yes	1	Yes	1
No	X	No	X

Dimensions

Kg	A (mm)	B (mm)	C (mm)	D (mm)
27	430	578	811	508
41	646	794	1027	724



Elektra

How to build the Part Number



| 87 | . | 27 | . | 1 | . | 1 | . | X | . | X | . | X | . | X |



A (Pump)		B (Release Module)	
----------	--	--------------------	--

27 Kg	27	Yes	1
41 Kg	41	No	X
180 Kg	18	Valve Only	2

C (Tank)		D (Presser Disc)	
----------	--	------------------	--

Cover Only	1	Yes	1
Complete Tank	2	No	X
Without Tank	X		

E (Level Sensor)		F (Loading Kit)	
------------------	--	-----------------	--

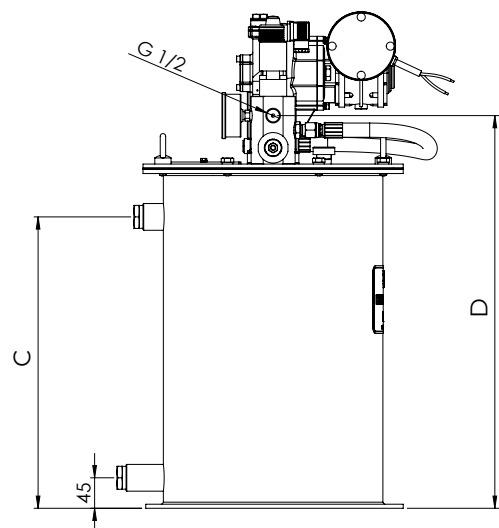
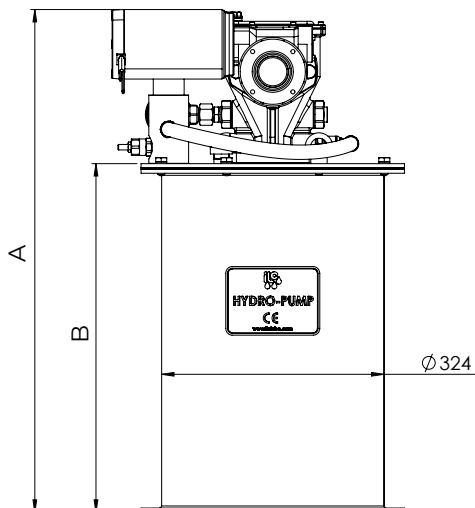
Yes	1	Yes	1
No	X	No	X

G (motor)

Three-phase			Single-phase		
230/ 400V 50 Hz - 280/ 480V 60 Hz	S	575 V 60 Hz	D	115 V AC 60 Hz	B
460 V 60 Hz	H	500 V 50 Hz	E	230 V AC 50 Hz	C
380 V 60 Hz	F	550 V 50 Hz	G	24 V DC	X

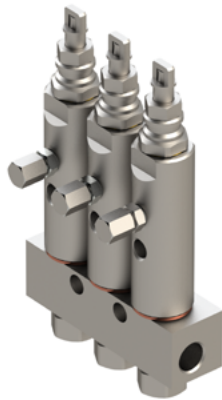
Dimensions

Kg	A (mm)	B (mm)	C (mm)	D (mm)
27	733	508	430	580
41	949	724	646	796



CX-1

Injectors



Single Injector

Oil	Grease
02.940.1.O	02.940.1.G

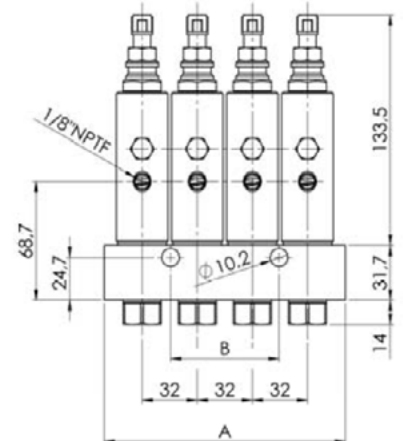
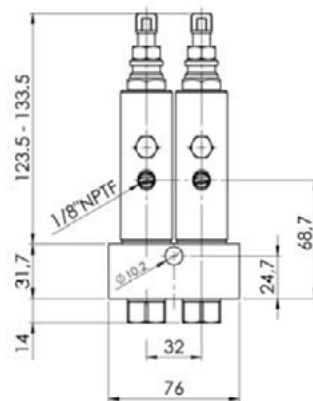
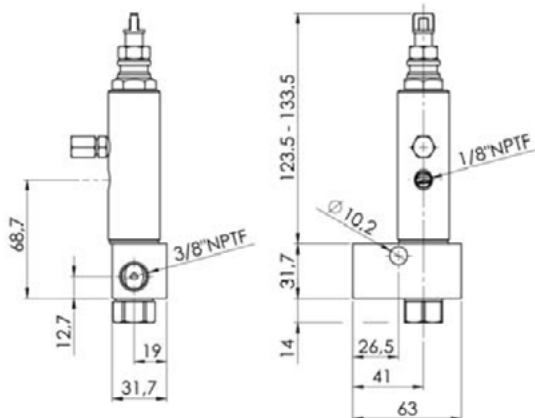
Injectors+Block

Oil	Grease	Outputs
02.940.1.O.01	02.940.1.G.01	1
02.940.1.O.02	02.940.1.G.02	2
02.940.1.O.03	02.940.1.G.03	3
02.940.1.O.04	02.940.1.G.04	4
02.940.1.O.05	02.940.1.G.05	5
02.940.1.O.06	02.940.1.G.06	6

Blocks

Part no.	Outputs
01.190.1	1
01.190.2	2
01.190.3	3
01.190.4	4
01.190.5	5
01.190.6	6

Two outputs can be joined with the bridge joint on request.
09.600.6: in this case, the two outputs of the CX-1 valves will add up.



Fittings



External Timer



Straight	Elbow	Tube Ø 6	86.BCT.24V.DC		
FH.040.001	FH.040.101	1/8" BSP			

Hose fittings



Sleeve			Stud 45°		
Straight		Key	Part N.	L	Key
FH.020.001		SW12	FH.030.202	24 mm	SW10



Stud Straight			Stud Elbow		
Part N.	L	Key	Part N.	L	Key
FH.030.001	20 mm	SW10	FH.030.101	37 mm	SW10
FH.030.002	30 mm	SW10	FH.030.102	53 mm	SW10

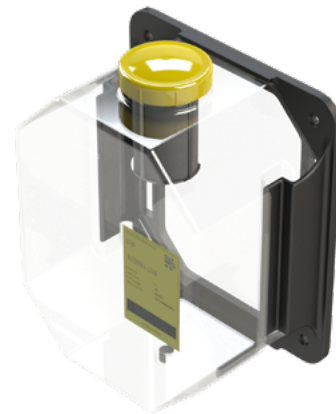
PMU Pump



Ratio 16:1	Ratio 8:1	Outlets
00.660.02	00.660.102	2
00.660.04	00.660.104	4
00.660.06	00.660.106	6
00.660.08	00.660.108	8
00.660.10	00.660.110	10
00.660.12	00.660.112	12

Transmission Kit

Reservoir (4L)



00.665.2

00.652.5

High Pressure Fittings



Straight M8x1		Elbow M8x1	
Part N.	Tube Ø	Part N.	Tube Ø
03.255.2	4	03.255.6	4
03.256.2	6	03.257.1	6

Low Pressure Fittings



Straight			Elbow			"Y"	
Part N.	Tube Ø	Thread	Part N.	Tube Ø	Thread	Part N.	Tube Ø
A92.106074	8	1/8" G	A92.106110	8	1/8" G	A92.106454	4
A92.106113	6	1/8" G	A92.106195	6	1/8" G	A92.106455	6
A92.106123	8	1/4" G	A92.106218	4	1/8" G		
A92.106133	6	1/4" G	A92.106224	6	1/4" G		
A92.106165	4	1/8" G	A92.106248	8	1/4" G		

Brushes



0.2 mm Nylon Brush / Steel body			0.2 mm Nylon Brush / Brass body			0.3 mm Nylon Brush / Aluminium body		
Part N.	Brush	Thread	Part N.	Brush	Thread	Part N.	Brush	Thread
14.000.8	Brush	1/8"	14.000.2	Brush	5/16"-24 UNF	14.001.2	Brush	1/8"
08.608.5	Clamp	-						

I.L.C. srl - Via Garibaldi, 149 - 20155 Gorla Minore - Italy
Phone +39 0331 601697 - Fax +39 0331 602001 - www.ilclube.com - info@ilclube.it



MADE IN ITALY