

lubrication systems



MINI-MAX

High performance Electric pump
for Lubrication systems



| | |
|------------------------------------------|-----------|
| Applications | 3 |
| Technical Data | 4 |
| System structure | 5 |
| Order | 6 |
| Components | 7 |
| Pump | 8 |
| Main Components | 8 |
| Release Valve | 9 |
| Grease Filter | 9 |
| Safety Module | 11 |
| Tank and Cover | 11 |
| Overload Prevention System | 12 |
| Order Codes | 12 |
| Accessories | 12 |
| Laser Sensor (minimum and maximum level) | 13 |
| Presser Disc | 13 |
| Pressure switch | 13 |
| Controller | 13 |
| Dimensions | 14 |



All ILC products must only be used for their intended purposes, as specified in this brochure and in all instructions. If the product is supplied together with user instructions, the user is required to read them and comply with them. Not all lubricants are suitable for centralised lubrication systems. ILC lubrication systems or relative components cannot be used together with gas, liquid gas, pressurised gas in solution and liquids with vapour pressure exceeding normal atmospheric pressure (1013 bar) by more than 0.5 bar, maximum temperature permitted. Any type of dangerous materials, namely those classified as such by European Community Directive (EC) 67/548/EEC, Article 2 (2), can only be used in ILC centralised lubrication systems or relative components upon consultation with ILC and after having received written approval from the company.

Features and benefits

The ILC Maximeter system has been designed to lubricate heavy duty and large machinery. The system consists of an Electric pump (ELEKTRA) which supplies the lubricant to a Single-line system equipped with CX, CM or CL valves. Each metering device supplies a single point and we can adjust its flow rate with precision.

The Maximeter systems have several advantages.

High performance pump

The Maximeter systems supply adjustable quantities of both grease and oil. Operation is not affected by changes in the lubricant temperature or viscosity. The metering devices can be located at great distances from the pump tanks.

Resistance

The Maximeter systems are suitable for work in difficult conditions, particular environments and temperatures below or above the standard.

Easy Installation

The Maximeter systems are simple to manage, install and maintain.

External Adjustment

The metering valves are externally adjustable without the use of special tools. Each point to be lubricated will receive the right amount of lubricant.

Visual Indicators

Each metering valve is equipped with an indicator which gives a visual indication of its correct operation. Troubleshooting is quick.

Simplified Maintenance

The replacement of the metering valves is quick and simple. It is not necessary to remove the line power supply connections or act on the adjacent metering devices: the replacement can be made between work cycles, without leakage of lubricant.

Applications

Front
wheel loaders

Mining
Trucks

Digging
buckets

Drag
excavators

Bucket Excavator

Cement factories

Shredders

Mining
Dimensioners

Port
Loaders

Slurry Pumps

Technical data

| | |
|-----------------------------------|---------------------------------------------------------------------|
| Operating principle | Electric Pump |
| Metering | 300 cc / min (Motor 24 V DC) 15 cc / min (three-phase/single-phase) |
| Maximum Operating Pressure | 241 bar [3500psi] |
| Safety Valve | Set to 250 bar ±10% |
| Lubricants | NLGI Grease from 00 to 2 |
| Outlets | 1 |
| Working temperature | from -30 to +65 °C |
| Tank capacity | 27 - 41 Kg |
| Materials | elastomer, steel, aluminium, bronze, copper, brass |
| Outlet connections | 3/8" BSP F |
| Assembly position | Vertical |

Electrical Data

Lubricant Level control

| | |
|----------------------|----------------------------------|
| Level Switch | Laser Sensor, Class 1, 2 signals |
| Protection | IP-67 IO-Link |
| Connection | Connector M12x1 |
| Power supply | 10-30 V DC |
| Signal Output | PNP |
| Fixing | M18x1 |

Release valve

| | |
|-----------------------|--------------------|
| Nomenclature | 3/2 Ways |
| Supply voltage | 24 V DC |
| Power | 26 W |
| Absorption | 1.1 A |
| Connector | Din 43650-A 3P |
| Input Port | 1/2" BSP |
| Output Port | 1/2" BSP |
| Release Port | 3/8" BSP |
| Max Pressure | 400 Bar (5802 Psi) |

Hydraulic Diagram

Lubricant Tank

Electric motor

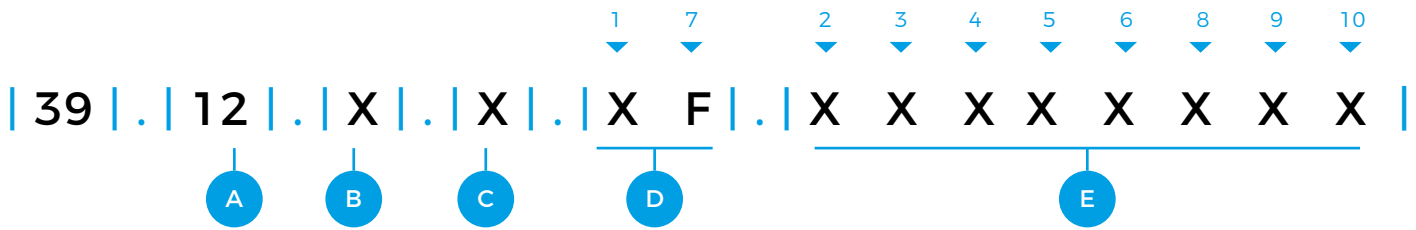
Pressure Limiter Valve

Lubricant outlet

Release Valve

End of line pressure switch

Order code configurator



10

9

| A (Pump) | | B (Release Module) | | C (Tank) ** | |
|----------|----|----------------------------|----|----------------|---|
| 27 kg | 27 | Yes | 1 | Cover Only | 1 |
| 41 kg | 41 | No | X | Complete Tank | 2 |
| 180 Kg | 18 | Valve Only Max Pressure | 2* | Without a tank | X |

**for progressive and double line systems*

***The complete tank is not available for the 180 kg model*

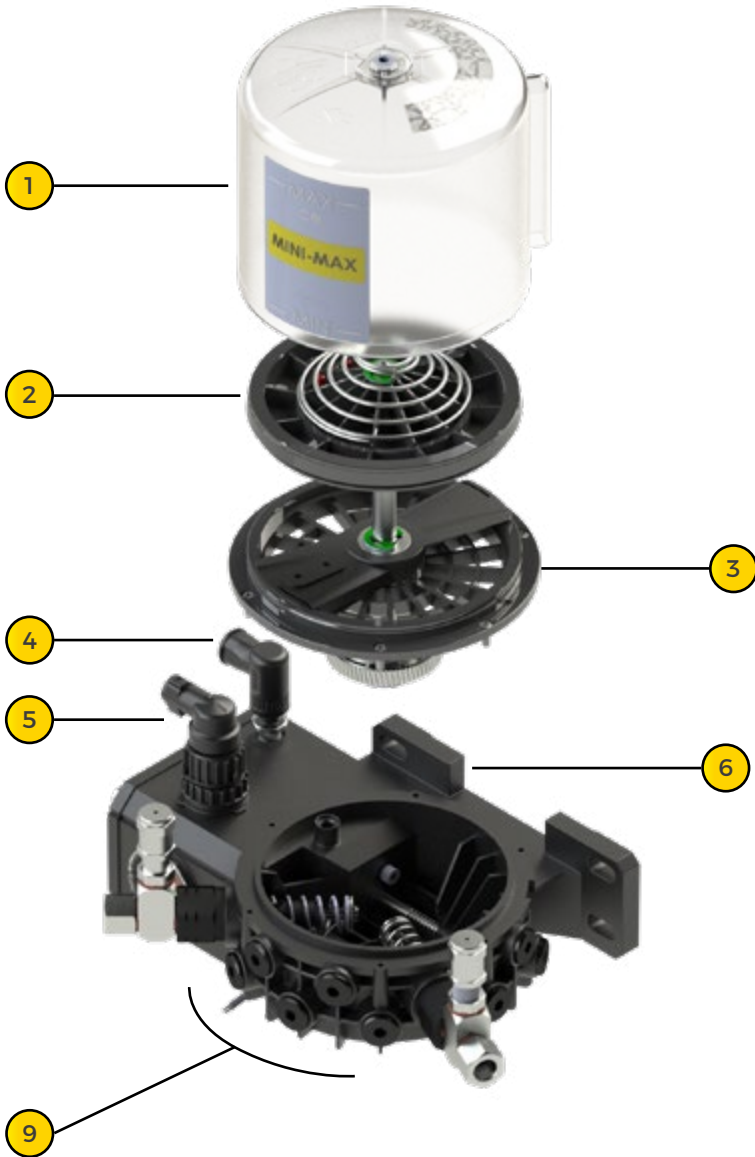
| D (Presser Disc) | | E (Electric Level Sensor)*** | | F (Loading Kit)*** | |
|------------------|---|------------------------------|---|--------------------|---|
| Yes | 1 | Yes | 1 | Yes | 1 |
| No | X | No | X | No | X |

****requires presser disc (D)*

****requires presser disc (D)*

| G (motor) | | | | | |
|------------------------------------|---|-------------|--------------|----------------|---|
| Three-phase | | | Single-phase | | |
| 230/ 400V 50 Hz 280/ 480V 60 Hz | S | 575 V 60 Hz | D | 115 V AC 60 Hz | B |
| 460 V 60 Hz | H | 500 V 50 Hz | E | 230 V AC 50 Hz | C |
| 380 V 60 Hz | F | 550 V 50 Hz | G | 24 V DC | X |

Components



Release Valve

- 1 Overflow Connection
- 2 Minimum Level Control
- 3 Vent Plug
- 4 Filling Valve
- 5



Pump Housing

- 6 Electric Motor
- 7 Tank
- 8 Fixing Plate
- 9

Pump



27/41 Kg



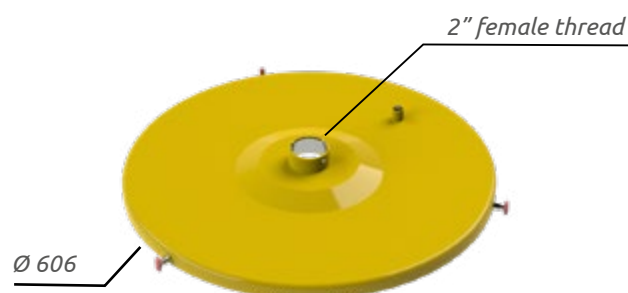
180/200 kg

24 V DC motor

| Dimensions | Part No. |
|------------|-------------------|
| 27 Kg | 87.27.X.X.X.X.X.X |
| 41 Kg | 87.41.X.X.X.X.X.X |
| 180 Kg | 87.18.X.X.X.X.X.X |

Without Motor

| Dimensions | Part No. |
|------------|-------------------|
| 27 Kg | 87.27.X.X.X.X.X.Z |
| 41 Kg | 87.41.X.X.X.X.X.Z |
| 180 Kg | 87.18.X.X.X.X.X.Z |



The 27 Kg and 41 Kg pumps are supplied with ILC tank of respective capacity.

Whereas, the 180 kg pump is designed for installation in standard 180 kg grease drums with 2" F perforated cover.

To simplify assembly (where the complete supply of drum cover is required) ILC provides an adapter plate that allows you to use any cover.

pump assembly does not require any drilling or mechanical machining of the drum cover. Only if the electric level is required, is it necessary to make a hole that allows reading the presser disc movement.

The pump is supplied with screws and gasket.

Release Valve



The release valve is required to feed the single-line systems equipped with CX, CL or CM valves. It releases the system pressure so that the metering devices are ready for a new cycle and protects the system from any overpressure. It is supplied complete with Flex pipes for the pump and the tank return port.

Part No.

A70.093805

Grease Filter

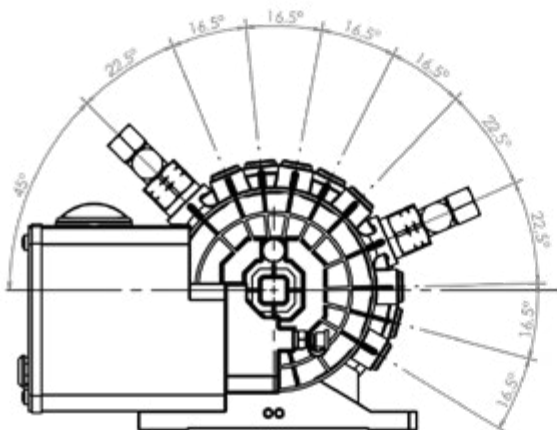
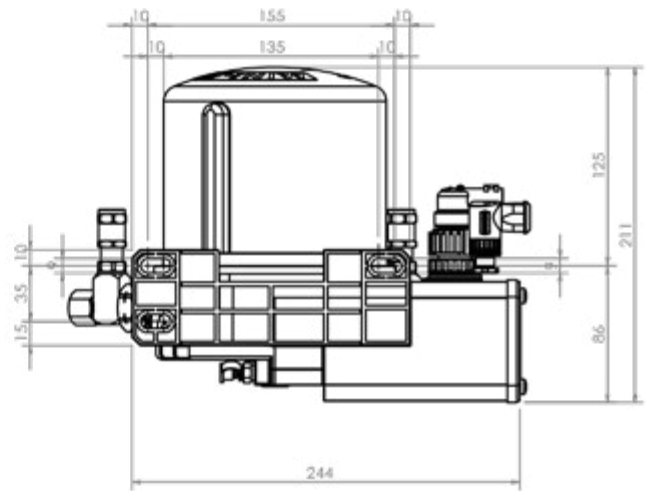
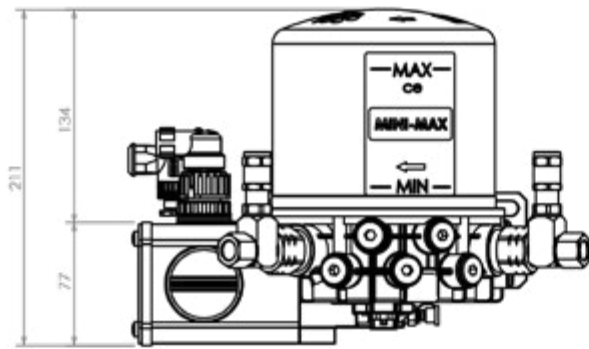
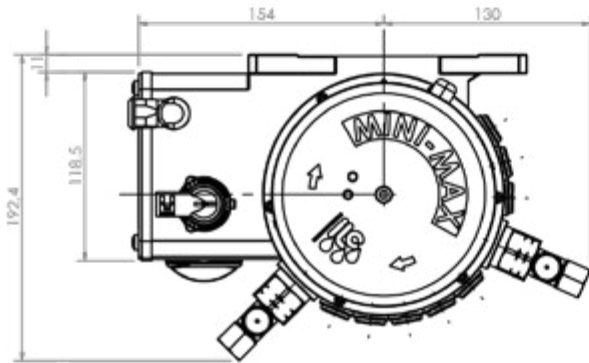
Filter

| Part No. | Filtering Degree | Thread |
|----------|------------------|--------|
| 07.261.2 | 150 | 3/8" |
| 07.261.3 | 300 | 3/8" |
| 07.261.4 | 150 | 1/2" |
| 07.261.5 | 300 | 1/2" |

Spare cartridge

| Part No. | Filtering Degree | Thread |
|----------|------------------|--------|
| 07.262.4 | 150 | 3/8" |
| 07.262.5 | 300 | 3/8" |
| 07.262.4 | 150 | 1/2" |
| 07.262.5 | 300 | 1/2" |

Dimensioni di ingombro



I.L.C. srl - Via Garibaldi, 149 - 20155 Gorla Minore - Italy
Phone +39 0331 601697 - Fax +39 0331 602001 - www.ilclube.com - info@ilclube.it

