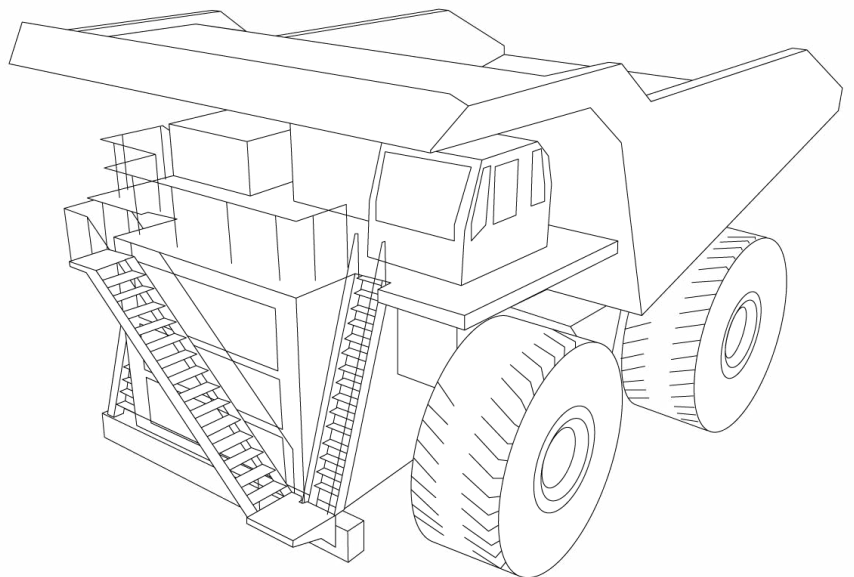


lubrication systems



MAXIMETER

Lubrication systems for Mining



INDEX OF CONTENT

Maximeter

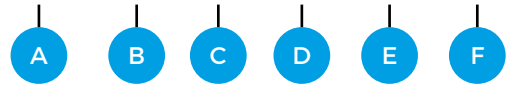
45° Adapter M-F	10
Clamps and Straps	9
Connectors	9
CX-1	6
Elbow Adapter M-F	10
Elektra	3
Extension Pieces M-F	10
External Timer	7
Fittings	7
Hose fittings	7
Hoses	8
Hydra	3
Point Fittings	10
Protections	8

Hydra



How to build the Part N.

| 86 | . | 27 | . | 1 | . | 1 | . | X | . | X | . | X |



A (Pump)		B (Release Module)	
27 Kg	27	Yes	1
41 Kg	41	No	X
180 Kg	18	Valve Only	2

C (Tank)		D (Presser Disc)	
Cover Only	1	Yes	1
Complete Tank	2	No	X
Without Tank	X		

E (Level Sensor)		F (Loading Kit)	
Yes	1	Yes	1
No	X	No	X

Elektra



How to build the Part N.

| 87 | . | 27 | . | 1 | . | 1 | . | X | . | X | . | X | . | X |



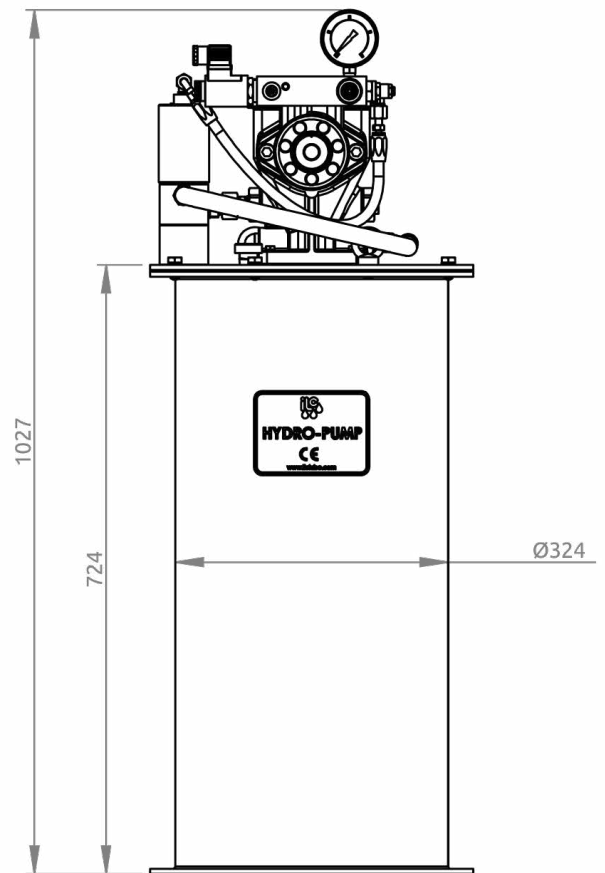
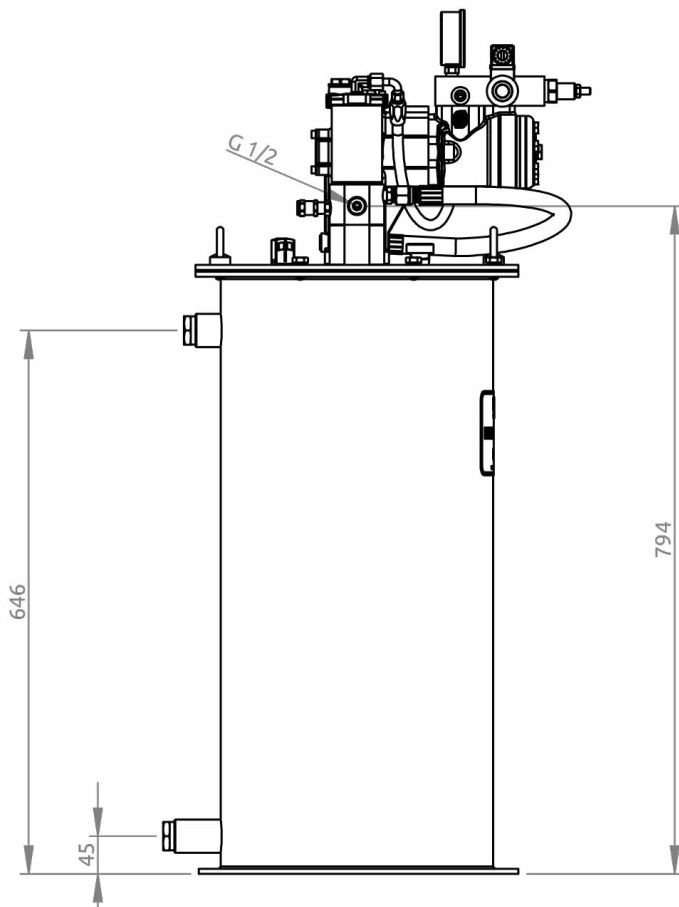
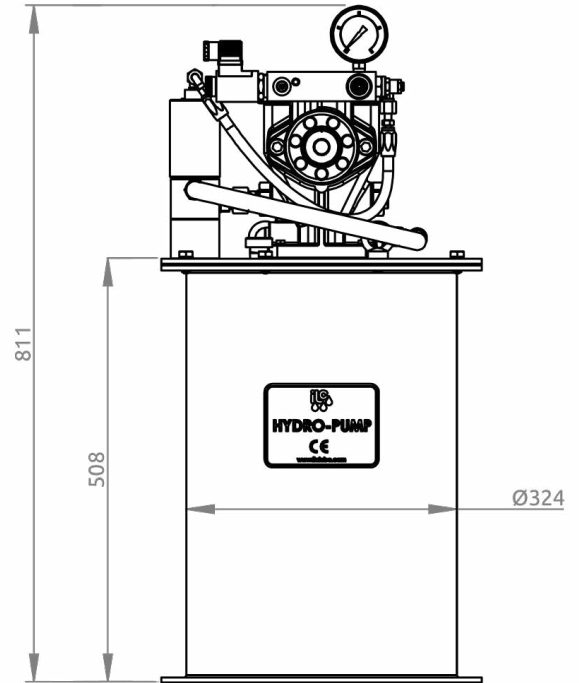
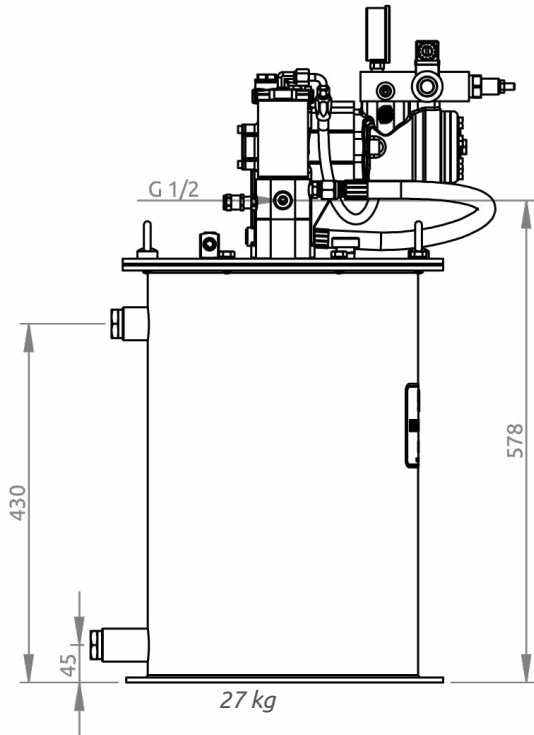
A (Pump)		B (Release Module)	
27 Kg	27	Yes	1
41 Kg	41	No	X
180 Kg	18	Valve Only	2

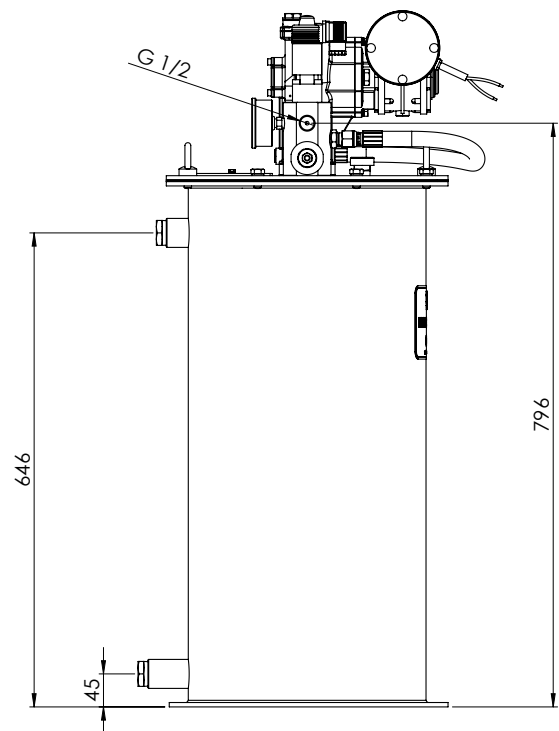
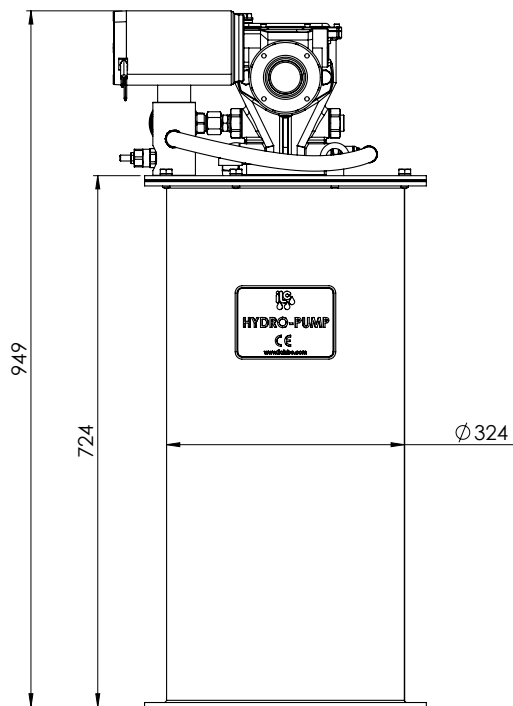
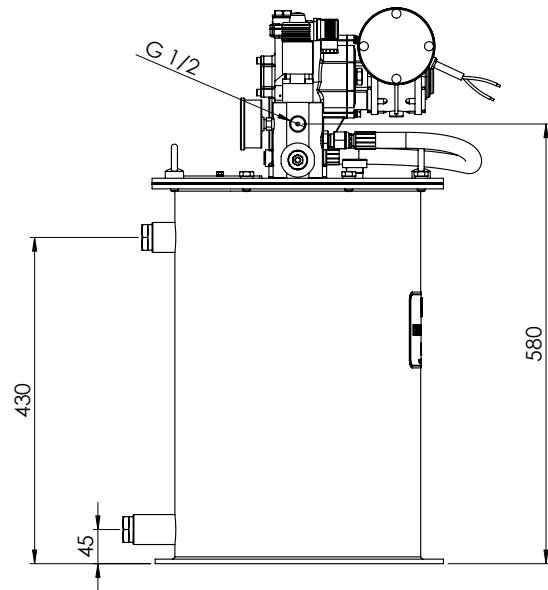
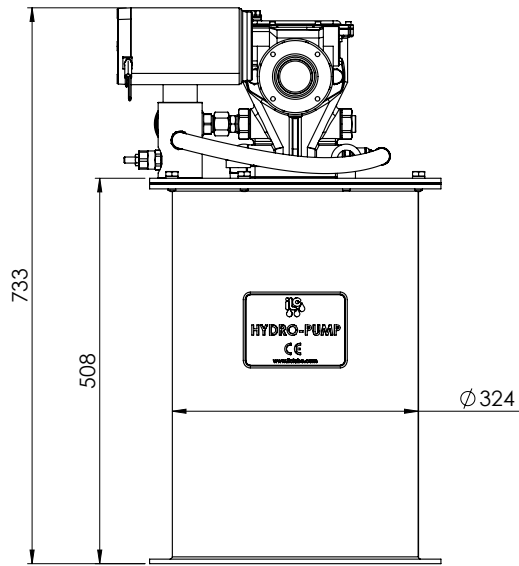
C (Tank)		D (Presser Disc)	
Cover Only	1	Yes	1
Complete Tank	2	No	X
Without Tank	X		

E (Level Sensor)		F (Loading Kit)	
Yes	1	Yes	1
No	X	No	X

G (motor)

Three-phase				Single-phase	
230/ 400V 50 Hz - 280/ 480V 60 Hz	S	575 V 60 Hz	D	115 V AC 60 Hz	B
460 V 60 Hz	H	500 V 50 Hz	E	230 V AC 50 Hz	C
380 V 60 Hz	F	550 V 50 Hz	G	24 V DC	X





CX-1

Injectors



Single Injector

Oil	Grease
02.940.1.O	02.940.1.G

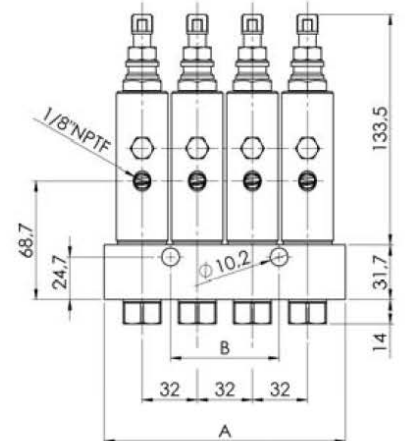
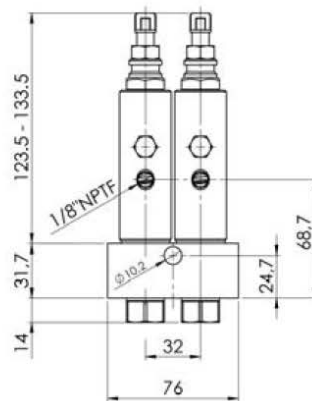
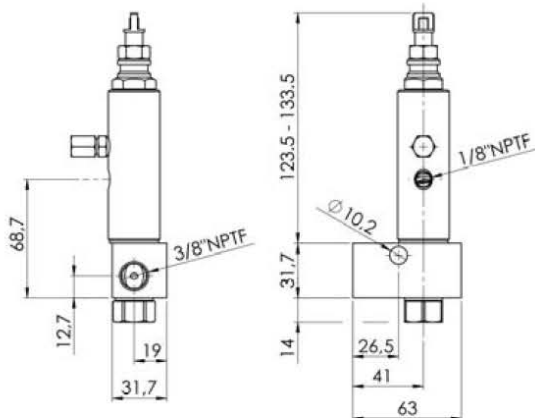
Injectors+Block

Oil	Grease	Outputs
02.940.1.G.01	02.940.1.O.01	1
02.940.1.G.02	02.940.1.O.02	2
02.940.1.G.03	02.940.1.O.03	3
02.940.1.G.04	02.940.1.O.04	4
02.940.1.G.05	02.940.1.O.05	5
02.940.1.G.06	02.940.1.O.06	6

Blocks

Part no.	Outputs
01.190.1	1
01.190.2	2
01.190.3	3
01.190.4	4
01.190.5	5
01.190.6	6

Two outputs can be joined with the bridge joint on request.
09.600.6: in this case, the two outputs of the CX-1 valves will add up.



Fittings



External Timer



Straight	Elbow	Tube Ø 6
FH.040.001	FH.040.101	1/8" BSP

86.BCT.24V.DC

Hose fittings



Sleeve

Straight	Key
FH.020.001	SW12

Stud 45°

Part N.	L	Key
FH.030.202	24 mm	SW10



Stud Straight

Part N.	L	Key
FH.030.001	20 mm	SW10
FH.030.002	30 mm	SW10

Stud Elbow

Part N.	L	Key
FH.030.101	37 mm	SW10
FH.030.102	53 mm	SW10

Hoses



High Pressure 8.6 x 4 mm (min. 100 m)		Polyamide 6 x 3 mm (min. 100 m)		Steel Tube (6 m)	
FH.010.002	NLG12 Full	30.161.0.NP	NLG12 Full	ZZZTC6/4/1	Ø 6 mm
FH.010.001	Empty	30.155.3.N	Empty	ZZZTC10/5/2.5	Ø 10 mm

Protections



Helix Protection (min. 50 m)		Flexible Conduit (min. 50 m)		Metallic Protection (6 m)	
ZZZ100-040	Ø 6 mm	ZZZ1212079	Ø 6.9 mm	ZZZ00208210	Ø 6 mm
ZZZ100-041	Ø 11.5 mm				

Clamps and Straps

Connectors



Hose Clamps		Hose Strap		Hose-Hose Connector	
Part N.	Size	Part N.	Length	Part N.	Thread
ZZZ100-606	Ø 6 mm	A91.111273	380 mm	FH.050.001	Ø 6 mm
ZZZ100-608	Ø 8 mm	A91.111274	200 mm	ZZZ106-000-10-L	Ø 6 mm - 10 mm
ZZZ100-610	Ø 10 mm				
ZZZ100-612	Ø 12 mm				
ZZZ100-614	Ø 14 mm				
ZZZ100-616	Ø 16 mm				
ZZZ100-618	Ø 18 mm				
ZZZ100-620	Ø 20 mm				
Fixing					
UNI5931-M6x20	Screw				
UNI1734-D06	Washer				
UNI7473-M06	Nut				

Point Fittings



Straight		Tube Ø 6	Elbow		Tube Ø 6
FH.040.003		M6x1	FH.040.103		M6x1
FH.040.004		M8x1	FH.040.104		M8x1
FH.040.006		M10x1	FH.040.106		M10x1
FH.040.001		1/8"	FH.040.101		1/8"
FH.040.002		1/4"	FH.040.102		1/4"

Elbow Adapter M-F

45° Adapter M-F



ZZZ100-721	M6x1 - M8x1	ZZZ100-822	M8x1 - M8x1
ZZZ100-722	M8x1 - M8x1	ZZZ100-833	M10x1 - M10x1
ZZZ100-723	M10x1 - M8x1	ZZZ100-844	1/8" - 1/8"
ZZZ100-724	1/8" - M8x1		
ZZZ100-733	M10x1 - M10x1		
ZZZ100-744	1/8" - 1/8"		

Extension Pieces M-F



ZZZ100-130	M8x1-M8x1	18 mm	ZZZ100-146	M10x1-M10x1	50 mm
ZZZ100-137	M8x1-M10x1	23 mm	ZZZ100-148	M8x1-M8x1	23 mm
ZZZ100-140	M10x1-M8x1	18 mm	ZZZ100-149	M8x1- M8x1	35 mm
ZZZ100-141	M10x1-M10x1	23 mm	ZZZ100-151	1/8"- M10x1	18 mm
ZZZ100-142	M10x1-M10x1	18 mm	ZZZ100-152	1/8"- 1/8	18 mm
ZZZ100-143	M10x1-M10x1	40 mm	ZZZ100-153	1/8"- 1/8"	50 mm
ZZZ100-145	M10x1-M10x1	35 mm			

I.L.C. srl - Via Garibaldi, 149 - 20155 Gorla Minore - Italy
Phone +39 0331 601697 - Fax +39 0331 602001 - www.ilclube.com - info@ilclube.it

